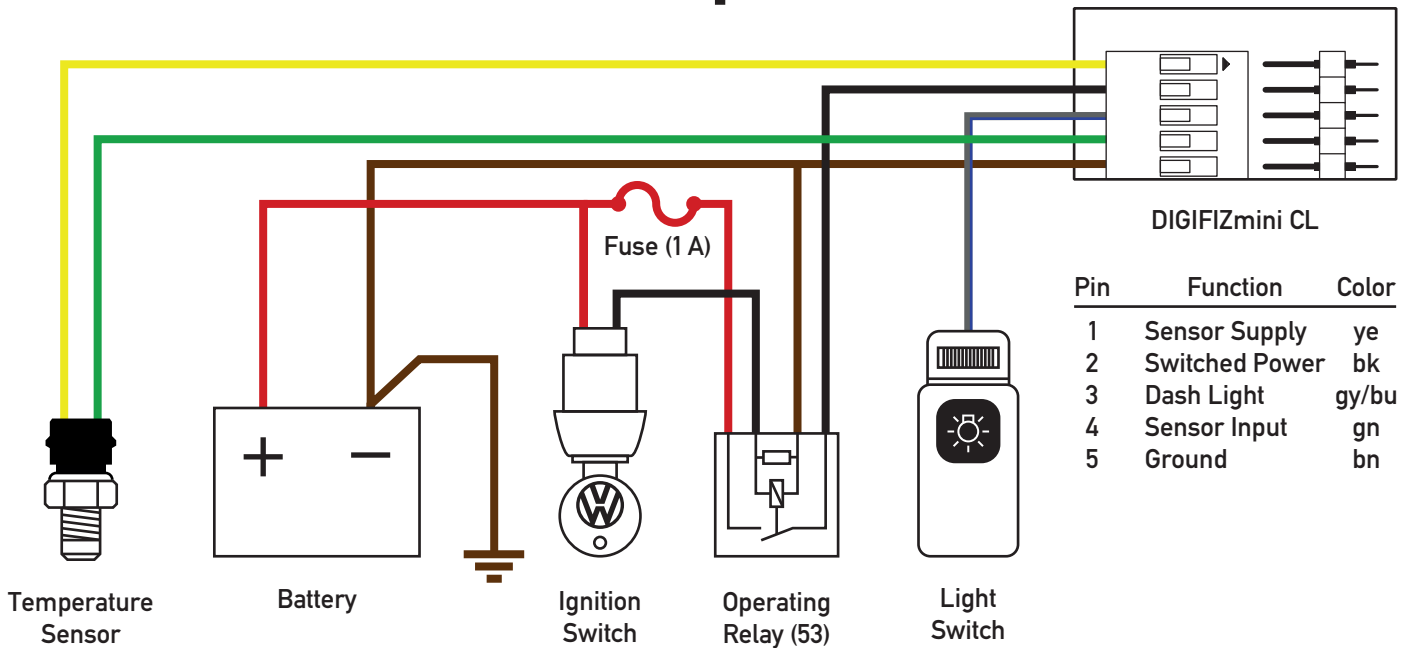


DIGIFIZmini wiring diagrams Oil Temperature



Installation Notes:

- DIGIFIZminis are not plug and play devices
- Installation should only be done by experienced personnel
- Disconnect the battery before doing any work to vehicle electronics
- One relay and one fuse are enough for up to ten DIGIFIZminis
- Crimping wires should always be preferred to soldering
- Supported dual pole sensor: 028 919 501 C (BERU ST118)