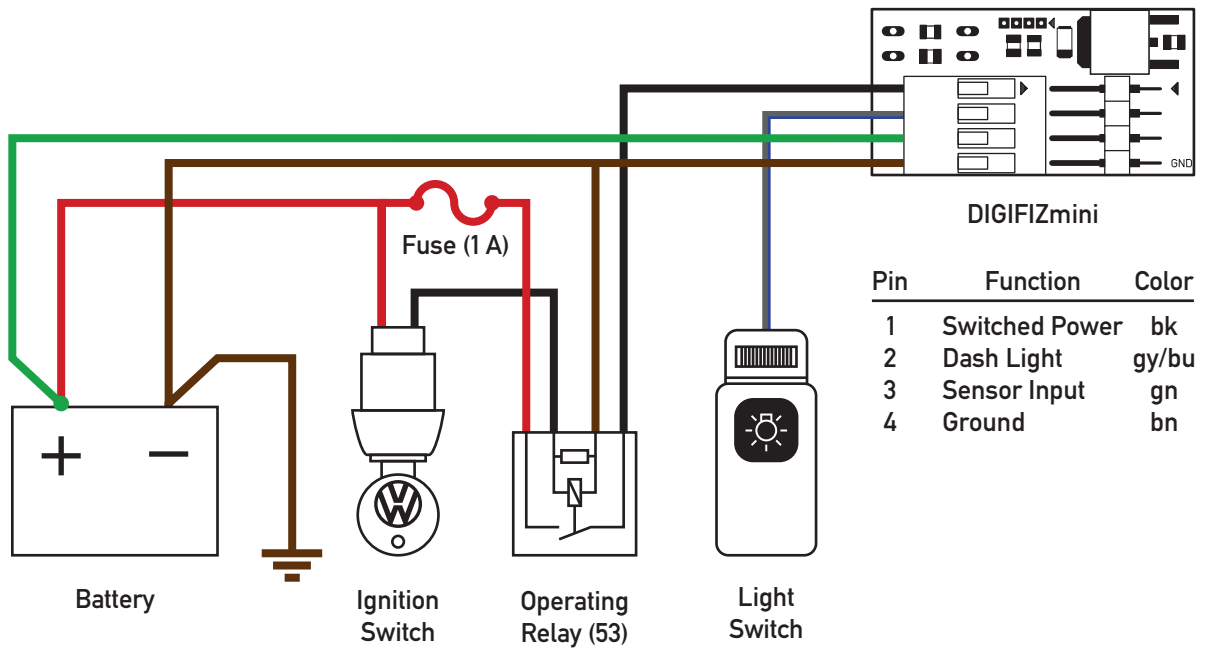


DIGIFIZmini Voltmeter

wiring diagrams



Installation Notes:

- DIGIFIZminis are not plug and play devices
- Installation should only be done by experienced personnel
- Disconnect the battery before doing any work to vehicle electronics
- For best accuracy connect ground as close to signal source as possible
- One relay and one fuse are enough for up to ten DIGIFIZminis
- Don't connect power in reverse, it might kill your DIGIFIZmini
- Crimping should always be preferred to soldering
- For accurate readings connect sensor input directly to the battery